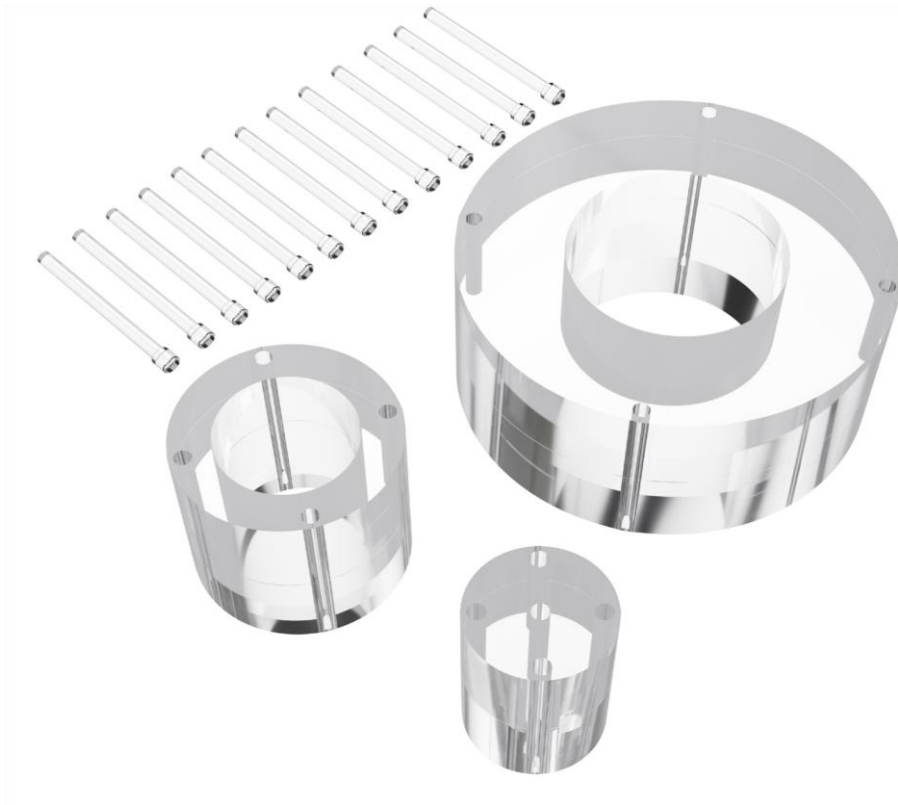




# Pro-CT Dose

04-203 - Pro-CT Dose Head and Body nested set - L and M phantoms with 9 plugs and a case with a trolley (matte finish)

04-204 - Pro-CT Dose Adult and Paediatric nested set – L, M and S phantoms with 13 plugs and a case with a trolley (matte finish)



## Set of homogenous cylinders designed to image paediatric and adult head and body.

Used for **CTDI measurement** and to separate dose information for each. When performing dose profile measurements, dose phantoms allow collecting information for the maximum, minimum and mid-range value of the nominal tomographic section thickness.

### Technical data (can be modified to customer specifications):

- Pro-CT Dose L (adult body) – 150 mm thick homogenous PMMA cylinder, diameter: 320 mm, with five  $\varnothing 13.1$  mm CT probe holes (one in the middle and 4 around the perimeter,  $90^\circ$  apart and 10 mm from the edge)
- Pro-CT Dose M (adult head / paediatric body) – 150 mm thick homogenous cylinder, diameter: 160 mm, with five  $\varnothing 13.1$  mm CT probe holes (one in the middle and 4 around the perimeter,  $90^\circ$  apart and 10 mm from the edge)
- Pro-CT Dose S (paediatric head) – 150 mm thick homogenous cylinder, diameter: 100 mm, with five  $\varnothing 13.1$  mm CT probe holes (one in the middle and 4 around the perimeter,  $90^\circ$  apart and 10 mm from the edge)
- engraved crosshair markings on phantoms for easier positioning
- acrylic rods for plugging all holes in the phantoms
- nested versions of the above phantoms are also available, where smaller cylinders can be inserted into larger ones together creating one solid cylinder
- carrying case, also with a trolley option

### Product features:

- complies with:
  - IEC 61223-3-5
  - IEC 61223-2-6
  - 21CFR 1020.33 specifications
- the Manual provides detailed guidelines for carrying out each test, results assessment and registration